



# CATALOGUE

TILCOM  
20 YEARS RELIABLE PARTNER

## FIBER OPTIC CLOSURES

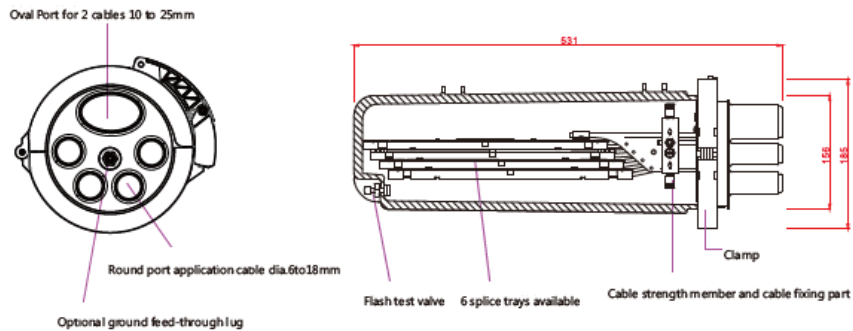
[www.tilcom-bg.com](http://www.tilcom-bg.com)

## 1. Fiber Optic Closure: Model GJS 03B

Product series (factory code): GJS03B:GJS03-M2BX



### ❖ EXTERIOR STRUCTURE DIAGRAM

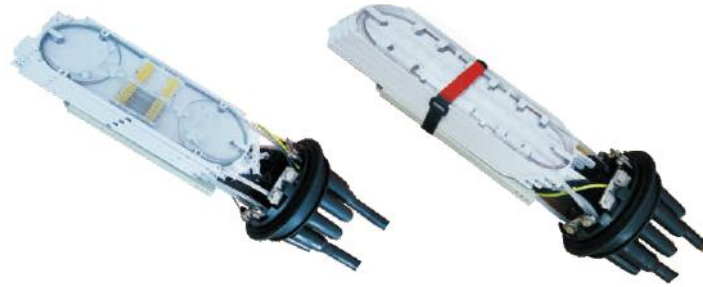


### ❖ PARAMETER TABLE

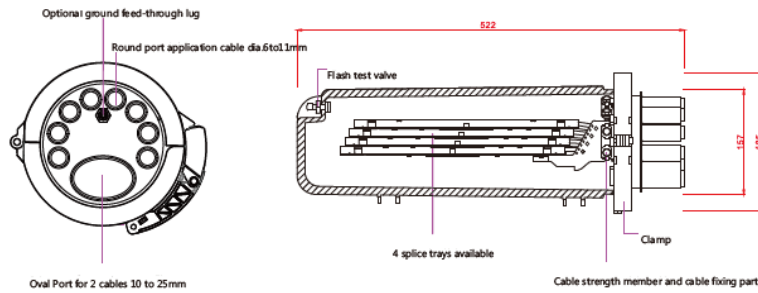
Model(Factory code)	GJS 03A(GJS03-M2AX) GJS03B(GJS03-M2BX)	GJS 03D With Fiber Storage Basket (GJS03-M2AX-D,GJS03-M2BX-D)
Material	PP	PP
Applicable Cable Dia	Oval port:Φ10-Φ25 Round port:Φ6-Φ18	Oval port:Φ10-Φ25 Round port:Φ6-Φ18
Number of Entry Ports	1 oval port,4 round ports	1 oval port,4 round ports
Max Capacity of Splice Tray	24 fibers(single fiber)	24 fibers(single fiber)
Max Capacity	144 Fibers	96 fibers with storage basket
Cable Sealing Method	heat-shrinkable seals	heat-shrinkable seals
Application Environment	Aerial,Buried,Pipe-lined	Aerial,Buried,Pipe-lined

## 1. Fiber Optic Closure: Model GJS03H

Product series (factory code): GJS03-M2AX-A8/GJS03-M2BX-A8



### ❖ EXTERIOR STRUCTURE DIAGRAM

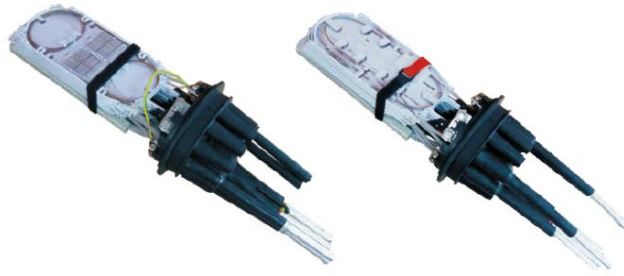


### ❖ PARAMETER TABLE

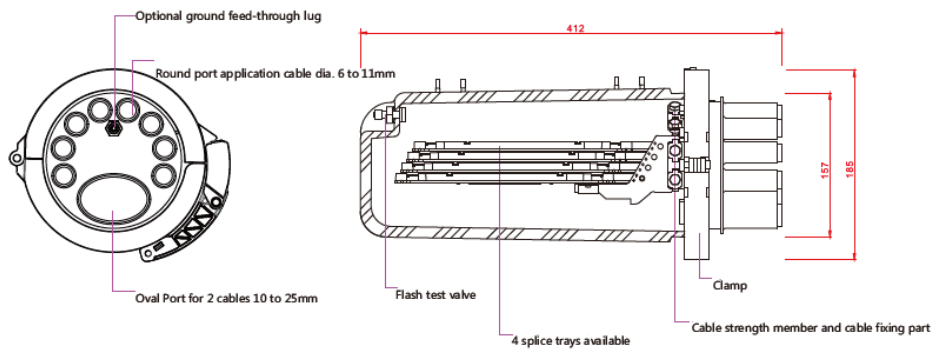
Model(Factory code)	GJS03H(GJS03-M2AX-A8 GJS03-M2BX-A8)	GJS 03H/With fiber storage basket (GJS03-M2AX-A8-96-D,GJS03-M2BX-A8- 96-D)	GJS03H/With adapter nut (GJS03-M2AX-A8 SC- 24/72C)
Material	PP	PP	PP
Applicable Cable Dia	Oval port:Φ10-Φ25 Round port:Φ6-Φ11	Oval port:Φ10-Φ25 Round port:Φ6-Φ11	Oval port:Φ10-Φ25 Round port:Φ6-Φ11
Number of Entry Ports	1 oval port,8 round ports	1 oval port,8 round ports	1 oval port,8 round ports
Max Capacity of Splice Tray	24 fibers(single fiber)	24 fibers(single fiber)	24 fibers(single fiber)
Max Capacity	96 Fibers	96 fibers with storage basket	72 fibers(with adapter nut ,24pcs SC single mode adapters available)
Cable Sealing Method	heat-shrinkable seals	heat-shrinkable seals	heat-shrinkable seals
Application Environment	Aerial,Buried,Pipe-lined	Aerial,Buried,Pipe-lined	Aerial,Buried,Pipe-lined

## 1. Fiber Optic Closure: Model GJS03 G

Product series (factory code): GJS03-M1AX-A8-96/GJS03-M1BX-A8-96



### ❖ EXTERIOR STRUCTURE DIAGRAM

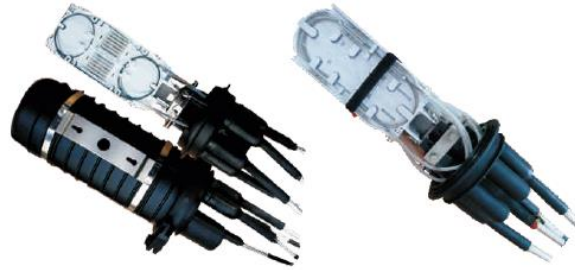


### ❖ PARAMETER TABLE

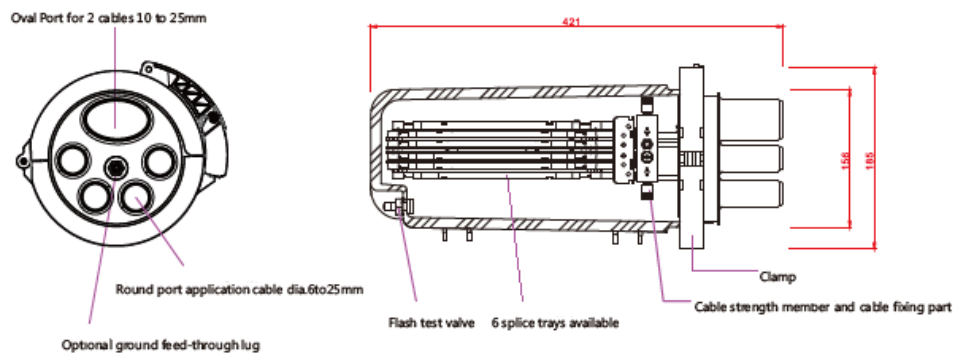
Model(Factory code)	GJS 03G(GJS03-M1AX-A8-96 GJS03-M1BX-A8-96)	GJS 03G/With fiber storage basket (GJS03-M1AX-A8-96-D,GJS03-M1BX-A8-96-D)	GJS 03G/With adapter nut (GJS03-M1AX-A8 SC-24/24-72C)
Material	PP	PP	PP
Applicable Cable Dia	Oval port:Φ10-Φ25 Round port:Φ6-Φ11	Oval port:Φ10-Φ25 Round port:Φ6-Φ11	Oval port:Φ10-Φ25 Round port:Φ6-Φ11
Number of Entry Ports	1 oval port,8 round ports	1 oval port,8 round ports	1 oval port,8 round ports
Max Capacity of Splice Tray	24 fibers(single fiber)	24 fibers(single fiber)	24 fibers(single fiber)
Max Capacity	96 Fibers	96 fibers with storage basket	72 fibers(with adapter nut ,24pcs SC single mode adapters available)
Cable Sealing Method	heat-shrinkable seals	heat-shrinkable seals	heat-shrinkable seals
Application Environment	Aerial,Buried,Pipe-lined	Aerial,Buried,Pipe-lined	Aerial,Buried,Pipe-lined

## 1. Fiber Optic Closure: Model GJS03 S

Product series (factory code): GJS03-M1AX/M1BX,GJS03-M1AX-D; GJS03-M1BX-D



### ❖ EXTERIOR STRUCTURE DIAGRAM



### ❖ PARAMETER TABLE

Model(Factory code)	GJS 03S(GJS03-M1AX-144, GJS03-M1BX-144)	GJS 03S(GJS03-M1AX-96-D,GJS03-M1BX-96-D) With Fiber Storage Basket
Material	pp	PP
Applicable Cable Dia	Oval port:Φ10-Φ25 Round port:Φ6-Φ25	Oval port:Φ10-Φ25 Round port:Φ6-Φ25
Number of Entry Ports	1 oval port,4 round ports	1 oval port,4 round ports
Max Capacity of Splice Tray	24 fibers(single fiber)	24 fibers(single fiber)
Max Capacity	144 Fibers	96 fibers with storage basket
Cable Sealing Method	heat-shrinkable seals	heat-shrinkable seals
Application Environment	Aerial,Buried,Pipe-lined	Aerial,Buried,Pipe-lined